

# Dust Filter Cassettes



## Applications

Everywhere in dust filtration

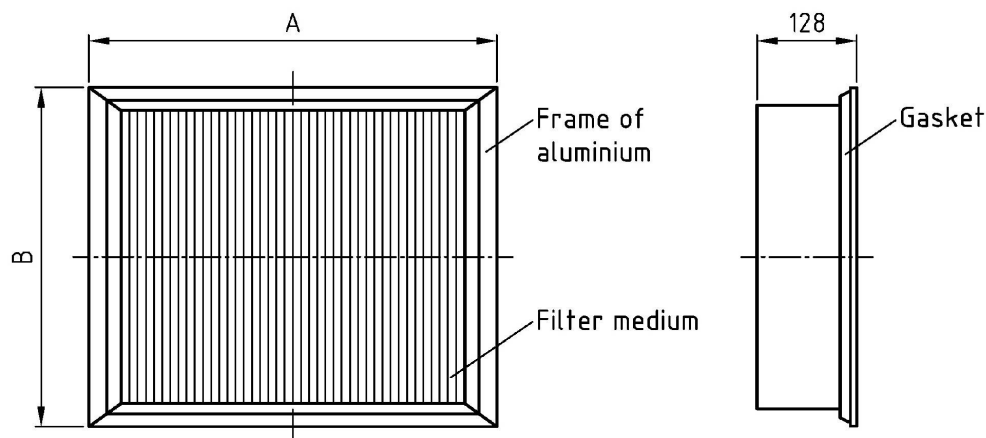
## Advantages

- Low pressure loss due to pleat spacers
- Low height of dust collector
- The position in the filter can be vertically or horizontally.
- Installation is optional from the raw gas side or the clean side.
- Cleanable Schwebstoff-Filter: class H13 according to DIN EN 1822 or dust class H according to DIN EN 60335-2-69 can be achieved.



**Size of Cassettes:** on request

## Measurements of filter cassette with frame of aluminum



## Filter Media

The filter media consist of polyester non wovens, polypropylene non wovens or needle felts. They can be equipped antistatic, oil and water repellent or with various finishes on the filter side. They are tested in accordance with DIN EN 60335-2-69. The filter media are suitable for the filtration of health-hazardous dusts. According to the application the best possible filter medium for the respective case is selected.

## Cleaning

The filter cassettes can be cleaned by compressed air or brushes.

Technical changes reserved