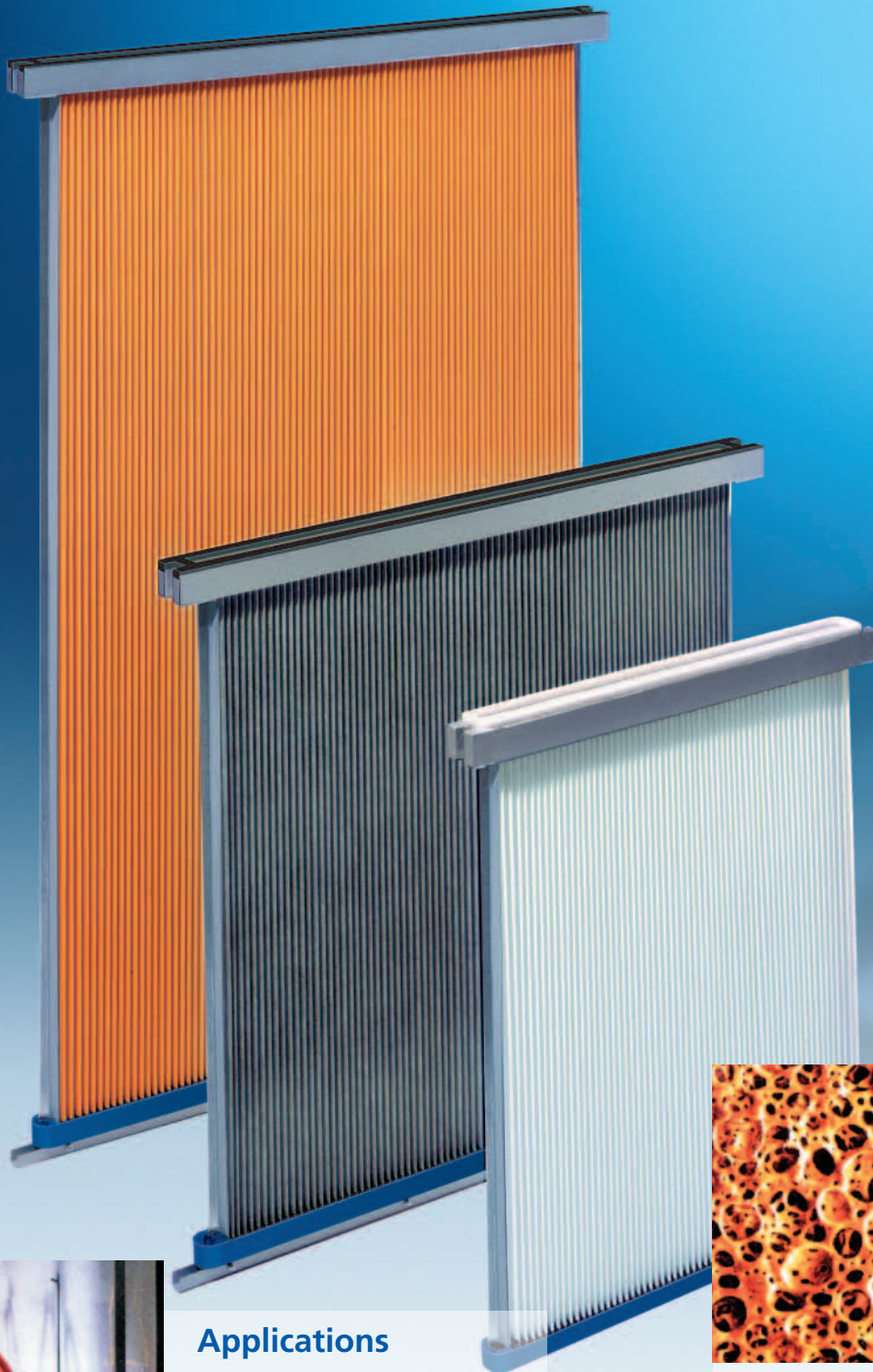
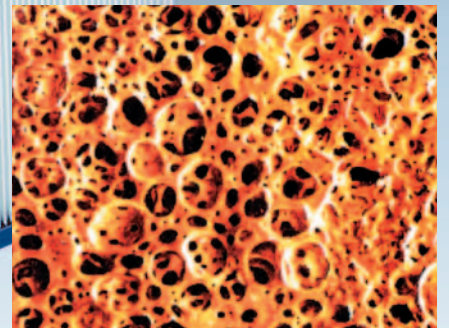


# Dust Filter Panels Multitex



## Applications

- Powder coating
- Separation of oil mist
- Filtration of enamel powder
- Foundries
- Synthetics industry
- Chemical industry
- Food industry
- Sand blasting plants
- Recycling plants



Detail of finish microporous coating

## Advantages

- **Low pressure drop**
- **Filter media adjusted to application**
- **Excellent cleaning ability**
- **Filter media with finish or membrane**

# Dust Filter Panels Multitex

## Features

Multitex filter panels provide excellent filtration capacity on smallest space.

With their pleated filter medium they reduce the pressure drop and thus operating costs substantially.

Installed are Multitex standard filter panels from the raw gas side. Models for installation from clean side are available on request. The maximum operating temperature for standard models is 60 °C. Filter cartridges for higher temperatures, with material of stainless steel or materials which are suitable for food contact are available on request.

Multitex filter panels replace panels in many common dust collectors.

## Filter Media

The filter medium is adjusted to the application in order to provide optimum performance in filtration.

The pleated filter media consist of polyester non wovens or needle felts. They can be equipped antistatic, oil and water repellent, with special coatings or membranes. They are certified in accordance with DIN EN 60335-2-69 and are suitable for the filtration of health hazardous dusts.

## Cleaning

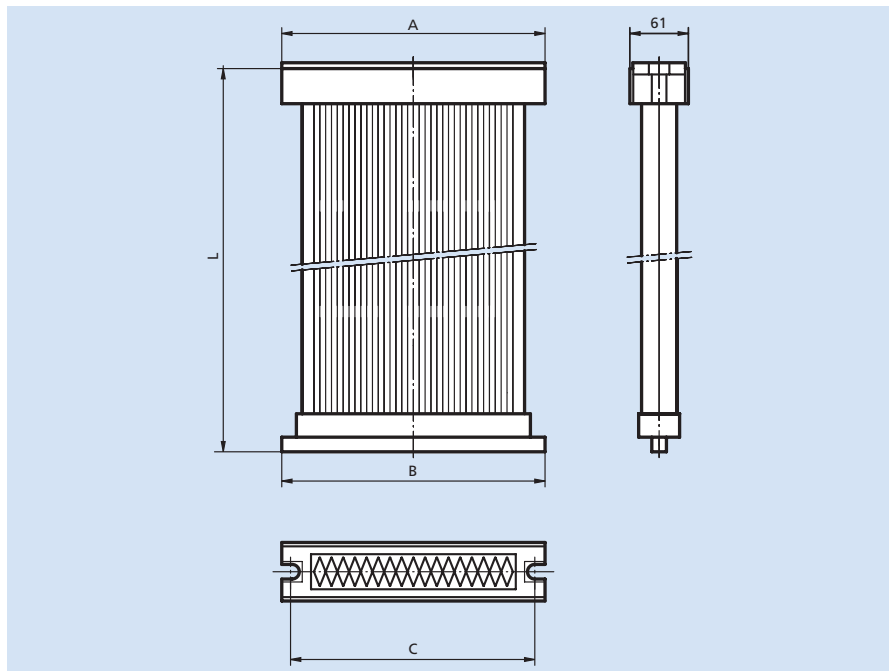
Multitex filter panels are cleaned by jet pulse.

## Service

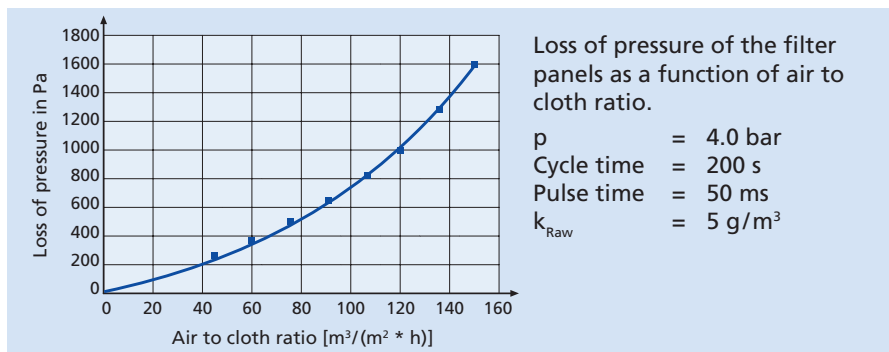
Of course we advise you on the selection of the best suitable filter medium and the design of your dust collector.

## Accessories

Solenoid valves, valve controllers.



## Filter Resistance Characteristic Lines



## Measures

Raw gas side installation				
A [mm]	B [mm]	C [mm]	Length L [mm]	Filter area [m <sup>2</sup> ]
737	675	700	950	4.0
737	675	700	1260	5.4
737	675	700	1555	6.7
1065	1050	1030	950	5.8
1065	1050	1030	1260	7.4
1065	1050	1030	1555	9.4
Raw gas side installation				
A [mm]	B [mm]	C [mm]	Length L [mm]	Filter area [m <sup>2</sup> ]
717	675	700	950	4.0
717	675	700	1260	5.4
717	675	700	1555	6.7
1045	1050	1030	950	5.8
1045	1050	1030	1260	7.4
1045	1050	1030	1555	9.4



R + B Filter GmbH

Bössingerstrasse 34 · 74243 Langenbrettach-Langenbeutingen · Germany

Phone: +49 (0) 7946 9127-0 · Fax: +49 (0) 7946 9127-39

E-Mail: info@rb-filter.de · www.rb-filter.com