

# Filter Cartridges for Installation onto Spigot



Brush cleaning system

## Applications

- Mobile or stationary dust collectors
- Wood dust and shavings
- Shot blasting dust
- Welding fumes
- Construction industry
- Grinding dust

## Advantages

- Five times more filter area than filter bags
- Easy replacement of filter bags
- Excellent cleaning ability due to flat and open pleats
- Long lifetime

# Filter Cartridges for Installation onto Spigot

## Features

The filter side of the cartridges is inside.

Their maximum operating temperature is 80 °C. Special sizes and other individual versions are available on request.

## Filter Media

The filter medium is adjusted to the application in order to provide optimum performance in filtration.

The pleated filter media consist of cellulose, polyester and polypropylene non wovens or needle felts. They can be equipped antistatic, oil and water repellent, with special coatings or membranes. They are certified in accordance with DIN EN 60335-2-69 and are suitable for the filtration of health hazardous dusts.

## Cleaning

The cartridges are cleaned by rotating brushes in the cartridge interior or by an unbalanced motor on top of the cartridge.

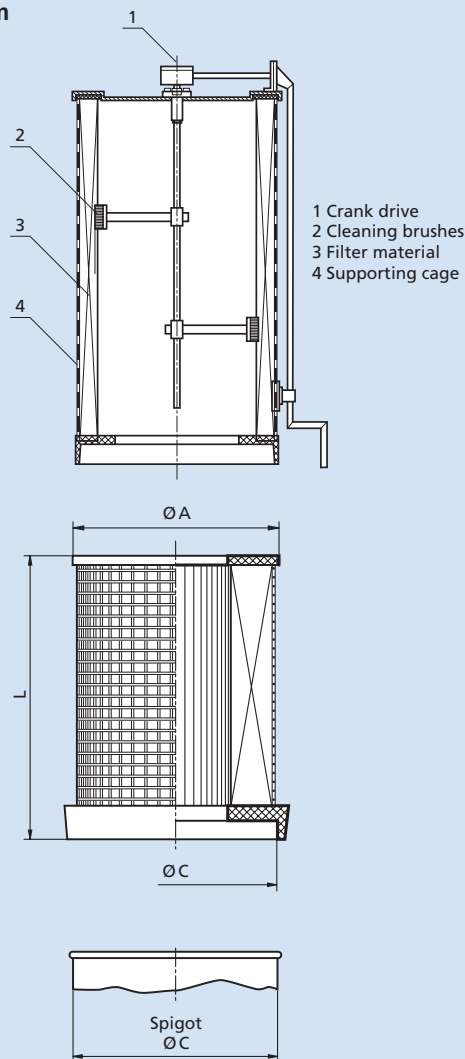
## Service

Of course we advise you on the selection of the best suitable filter medium and the design of your dust collector.

## Accessories

Rotating brushes for cleaning with crank or motor.

Brush cleaning system using crank drive



### Top closed

Ø A [mm]	Ø C [mm]	Length L [mm]	Filter area [m <sup>2</sup> ]
240	230	661	3.1
490	480	638	6.7
490	500	638	6.7
240	230	1041	5.2
490	480	1018	11.0
490	500	1018	11.0

### For brush cleaning

Ø A [mm]	Ø C [mm]	Length L [mm]	Filter area [m <sup>2</sup> ]
240	230	661	3.1
490	480	638	6.7
490	500	638	6.7
240	230	1041	5.2
490	480	1018	11.0
490	500	1018	11.0

### Accessories: Rotating brushes

	with crank part no.	with motor part no.
240	310-006-000010	310-006-000017
490	310-006-000011	310-006-000018
490	310-006-000011	310-006-000018
240	310-006-000014	310-006-000019
490	310-006-000015	310-006-000020
490	310-006-000015	310-006-000020



R + B Filter GmbH

Bössingerstrasse 34 · 74243 Langenbrettach-Langenbeutingen · Germany

Phone: +49 (0) 7946 9127-0 · Fax: +49 (0) 7946 9127-39

E-Mail: info@rb-filter.de · www.rb-filter.com