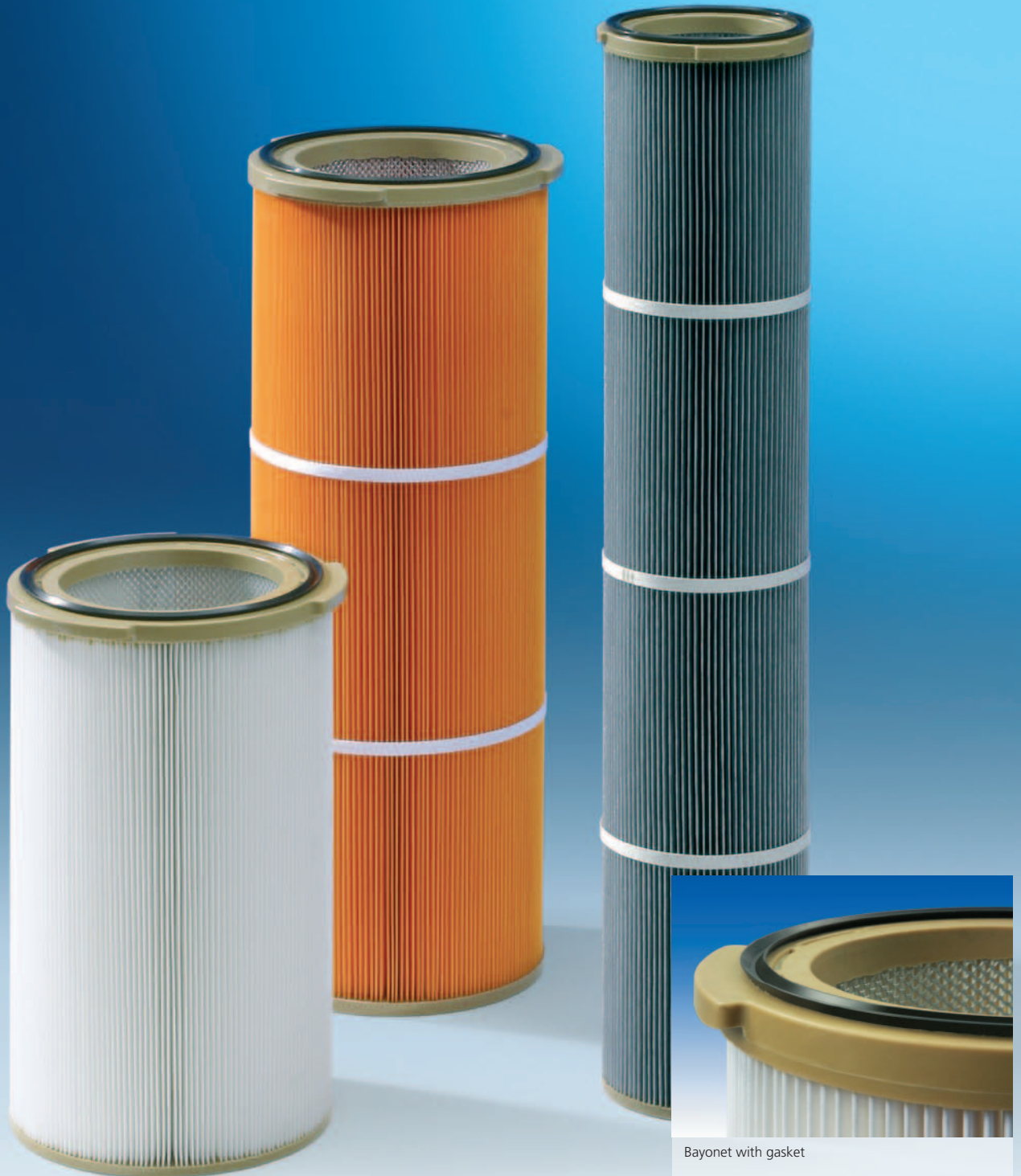


Dust Filter Cartridges Ecotex



Bayonet with gasket



Applications

- Powder coating systems
- Separation of welding smoke
- Chemical industry
- Separation of grinding dust
- Pharmaceutical industry
- Filling stations

Advantages

- Easy and quick installation without tools
- Installation by a turn of 120° only!
- Quick cartridge exchange
- Filter medium adjusted to application

Dust Filter Cartridges Ecotex

Features

Quick and easy installation: Ecotex filter cartridges are put into the corresponding filter holder from the raw gas side by a bayonet system with a turn of 120° only! There are no tools necessary. This is a great advantage! Especially where cartridges are exchanged frequently.

The maximum operating temperature is 70 °C. Filter cartridges for higher temperatures, with material of stainless steel or materials which are suitable for food contact are available on request.

Filter Media

The filter medium is adjusted to the application in order to provide optimum performance in filtration.

The pleated filter media consist of cellulose, polyester and polypropylene non wovens or needle felts. They can be equipped antistatic, oil and water repellent, with special coatings or membranes. They are certified in accordance with DIN EN 60335-2-69 and are suitable for the filtration of health hazardous dusts.

Cleaning

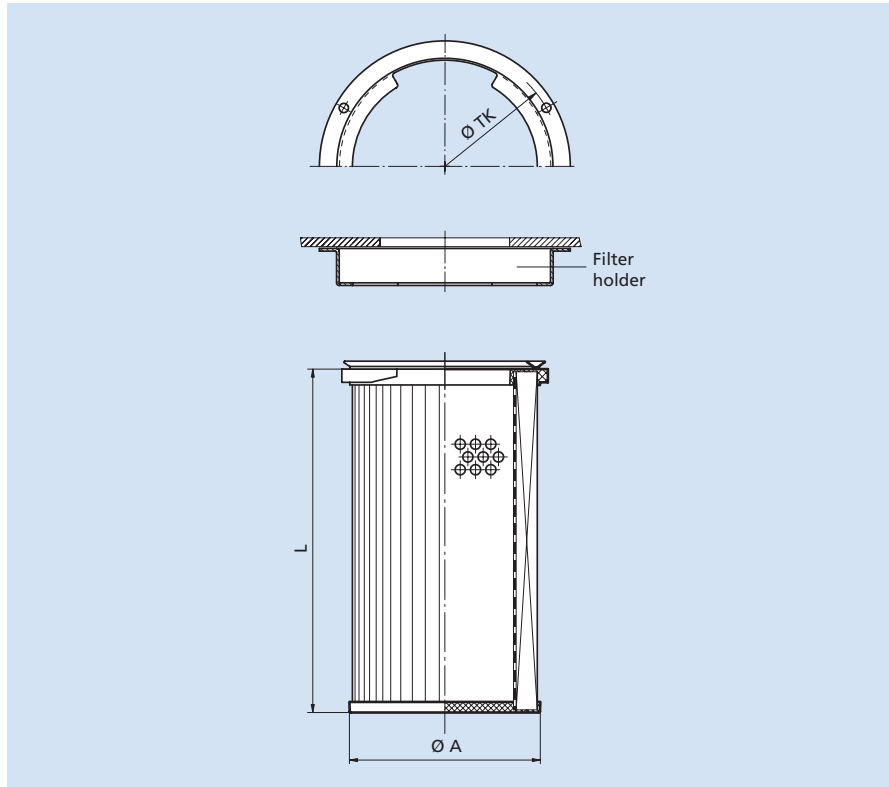
Filter cartridge Ecotex is cleaned by jet pulse.

Service

Of course we advise you on the selection of the best suitable filter medium, filter cartridge, as well as the design of your dust collector.

Accessories

Filter holder 310-001-000019 for Ecotex Ø 153 mm,
filter holder 310-001-000022 for Ecotex Ø 216 mm,
filter holder 310-001-000025 for Ecotex Ø 330 mm,
venturi nozzle 310-002-000014 for Ecotex Ø 330 mm,
solenoid valves, valve controllers, air flow deflectors.



Measures

Raw gas side installation

Filter holder 310-001-000019

Ø A [mm]	Length L [mm]	Filter area [m ²]	Ø TK [mm]
153	635	1,5	205
153	1015	2,5	205
153	1235	3,0	205

Filter holder 310-001-000022

Ø A [mm]	Length L [mm]	Filter area [m ²]	Ø TK [mm]
216	610	3	264
216	990	5	264
216	1210	6	264

Filter holder 310-001-000025

Ø A [mm]	Length L [mm]	Filter area [m ²]	Ø TK [mm]
330	610	6	387
330	610	8	387
330	610	10	387
330	990	10	387
330	990	13	387
330	990	16	387
330	1210	12	387
330	1210	16	387
330	1210	20	387



R + B Filter GmbH

Bössingerstrasse 34 · 74243 Langenbrettach-Langenbeutingen · Germany

Phone: +49 (0) 7946 9127-0 · Fax: +49 (0) 7946 9127-39

E-Mail: info@rb-filter.de · www.rb-filter.com