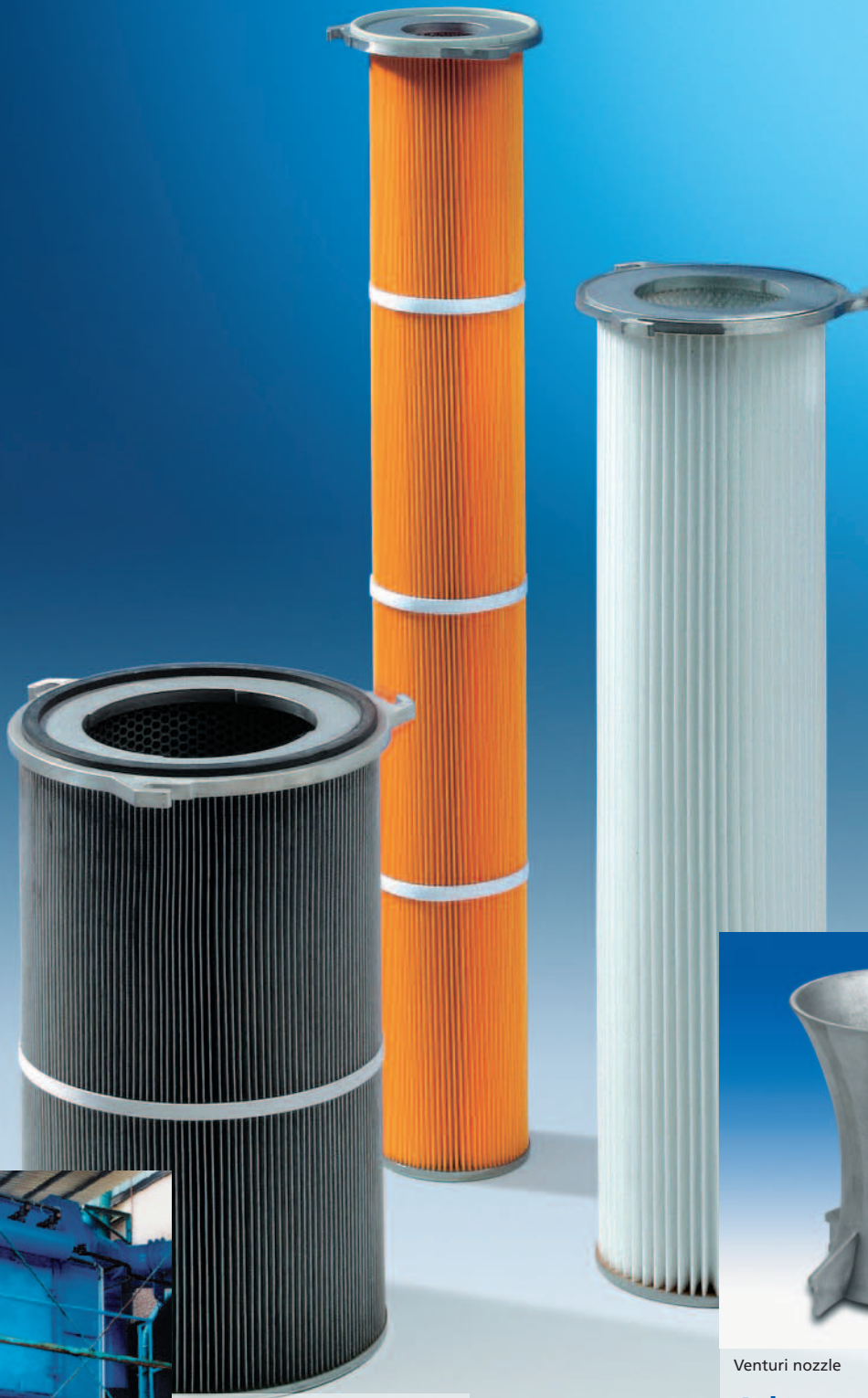


# Dust Filter Cartridges with Flange Ø 150, 214, 327 mm



## Applications

- Foundries
- Aviation industry
- Recycling
- Zinc spraying
- Mining industry
- Sand blasting plants



Venturi nozzle

## Advantages

- Technical consultancy
- Filter medium adjusted to application
- Excellent wear and tear resistance
- Long lifetime

# Dust Filter Cartridges with Flange

## Features

Filter cartridges with flange with 3 hooks (lugs) can be installed from the raw gas side or the clean side.

Their maximum operating temperature is 80 °C. Filter cartridges for higher temperatures, with material of stainless steel or materials which are suitable for food contact are available on request.

## Filter Media

The filter medium is adjusted to the application in order to provide optimum performance in filtration.

The pleated filter media consist of cellulose, polyester and polypropylene non wovens or needle felts. They can be equipped antistatic, oil and water repellent, with special coatings or membranes. They are certified in accordance with DIN EN 60335-2-69 and are suitable for the filtration of health hazardous dusts.

## Cleaning

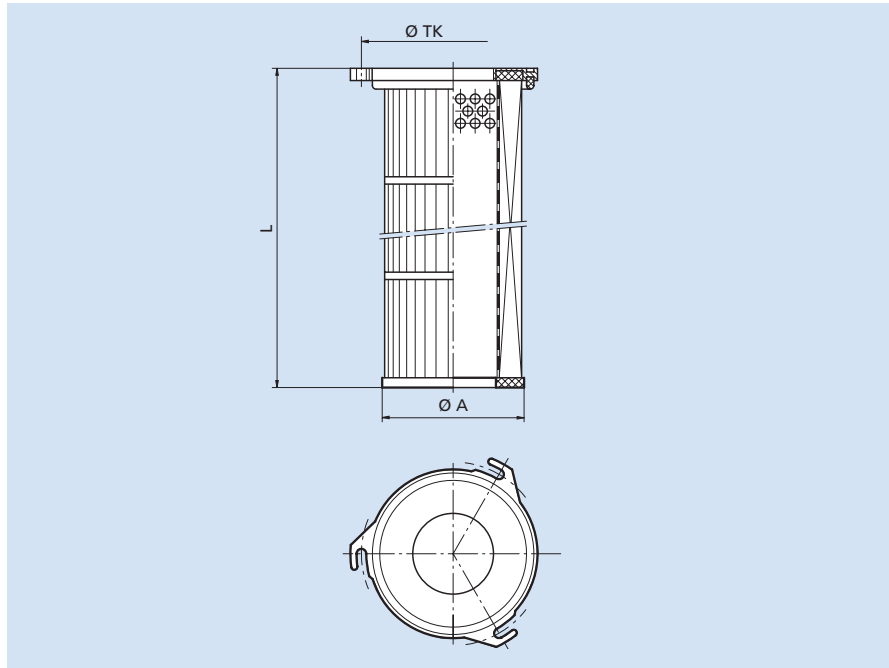
The filter cartridges are cleaned by jet pulse.

## Service

Of course we advise you on the selection of the best suitable filter medium, filter cartridge, as well as the design of your dust collector.

## Accessories

Venturi nozzles 310-002-000013 for filter cartridge Ø 214 mm, venturi nozzles 310-002-000015 for filter cartridge Ø 327 mm, solenoid valves, valve controllers, air flow deflectors.



## Measures

Flange Ø TK = 205 mm for raw gas side and clean side installation			
Ø A [mm]	Length L [mm]	Filter area [m <sup>2</sup> ]	Ø TK [mm]
150	605	1.5	205
150	985	2.5	205
150	1205	3.0	205
Flange Ø TK = 264 mm for raw gas side and clean side installation			
Ø A [mm]	Length L [mm]	Filter area [m <sup>2</sup> ]	Ø TK [mm]
214	605	3	264
214	985	5	264
214	1205	6	264
Flange Ø TK = 393 mm for raw gas side and clean side installation			
Ø A [mm]	Length L [mm]	Filter area [m <sup>2</sup> ]	Ø TK [mm]
327	605	6	393
327	605	10	393
327	985	10	393
327	985	16	393
327	1205	12	393
327	1205	20	393
Flange Ø TK = 365 mm for raw gas side installation			
Ø A [mm]	Length L [mm]	Filter area [m <sup>2</sup> ]	Ø TK [mm]
327	605	6	365
327	605	10	365
327	985	10	365
327	985	16	365
327	1205	12	365
327	1205	20	365



R + B Filter GmbH

Bössingerstrasse 34 · 74243 Langenbrettach-Langenbeutingen · Germany

Phone: +49 (0) 7946 9127-0 · Fax: +49 (0) 7946 9127-39

E-Mail: info@rb-filter.de · www.rb-filter.com